

# Cila

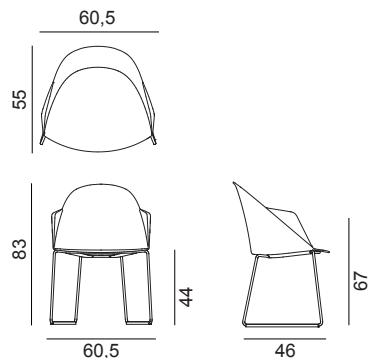
Design by Lievore Altherr, 2018

## Art. 2226

Armchair on sled base in chromed or powder-coated steel. Polypropylene shell available in 5 colours. Optional glides with felt for wooden floors are available upon request.



### Dimensions \*



\* File CAD 2D - 3D available for download at [www.arper.com](http://www.arper.com)

### Frame Base



### Shell

#### Polypropylene



arper

www.arper.com

info@arper.com


# Cila


## Design by Lievore Altherr, 2018

---

### SHIPMENT DETAILS

**Art.2226**

1 pz = 2  - kg 11,32/ m³ 0,32

4 pz = 2  - kg 34,17/ m³ 0,451

### TECHNICAL SPECIFICATIONS

**Art.2226**

\*Classe 1, 2, 1IM: fire retardant version available with surcharge and eventual minimum batch

### RESISTANCE TEST

- TUV GS (EN16139)

### FIRE RETARDANT TEST

arper

www.arper.com  
info@arper.com

www.arper.com